



FLOW METERING EQUIPMENT

BAR Ellipse[®]

Pitot Tube Flow Meter

2" to 24"

Probe Construction	316 Stainless steel
Head	"Y" type, brass 1/8" FNPT
Pipe Mounting	3000# CS thread-o-let
Instrument Valves	1/4" SAE flare brass ball type
ID Tag	Polycarbonate
Temperature Maximum *	250 °F (120 °C)
Pressure Maximum *	400 PSIG (2760 kPa)



BAR 2" - 5"	ELLIPSE (1/2")
Sensor Connection	1/2" Brass compression w/SS ferrule
BAR 6" - 12"	ELLIPSE (7/8")
Sensor Connection	1" CS compression w/SS ferrule
BAR 14" - 24"	ELLIPSE (1-1/4")
Sensor Connection	1-1/4" Brass compression w/SS ferrule

* For higher pressure and temperature applications
please consult factory

Features

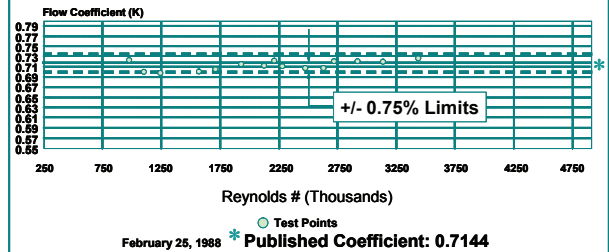
- No separation effects on the low (static) pressure
- Turndown ratio of 17:1
- No vacuum effects
- No vortex generation
- Very high repeatability
- Accuracy of $\pm 3/4\%$ uncalibrated
- Lowest drag coefficient (lowest pressure loss in the industry)

NIST Traceable

Water Calibration

Model: BAR-1600 Ellipse

Alden Research Lab. PO# 87-000930



MODEL SELECTOR: PBAR□□□□□

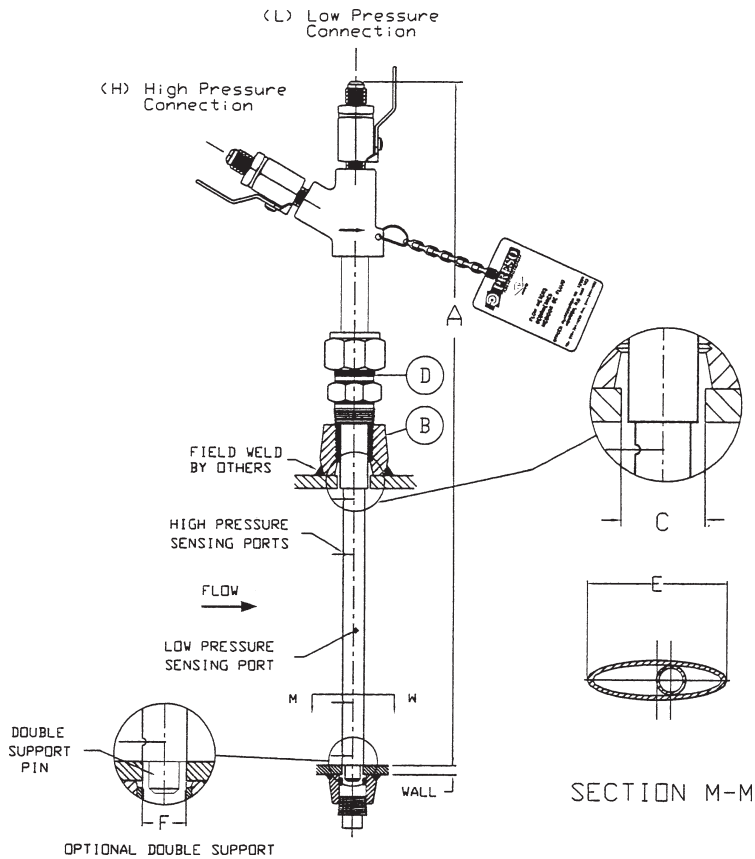
PIPE SIZE	SCHEDULE	PIPE MOUNTING/CONNECTOR HARDWARE	INSTRUMENT CONNECTION
A - 2"	A - STD	1 - CARBON STEEL/BRASS	A - BRASS BALL VALVE
B - 2-1/2"	B - 40	2 - COPPER/BRASS	1/4" SAE
C - 3"	C - 80	3 - PVC/BRASS	B - BRASS BALL VALVE
D - 3-1/2"	D - TYPE L (COPPER)	4 - CARBON STEEL	w/QUICK CONNECT
E - 4"	E - TYPE K (COPPER)	w/DOUBLE SUPPORT	X - OTHER
F - 5"	X - OTHER	5 - COPPER	
G - 6"		w/DOUBLE SUPPORT	
H - 8"		6 - PVC	
I - 10"		w/DOUBLE SUPPORT	
J - 12"		X - OTHER	
K - 14"			
L - 16"			
M - 18"			
N - 20"			
O - 24"			

BOLD = Standard

* Tag information must be included with order.

SPECIFICATIONS AND SUBMITTAL DATA

SIZE	MODEL	B inch (mm)	C inch (mm)	D inch (mm)	E ELLIPSE inch (mm)	F inch (mm)	APP. WEIGHT lbs (kg)
2"	PBARAXXX	0.5 (12.7)	0.625 (15.8)	0.5 (12.7)	0.5 (12.7)	0.375 (9.5)	2 (0.9)
2-1/2"	PBARBXXX	0.5 (12.7)	0.625 (15.8)	0.5 (12.7)	0.5 (12.7)	0.375 (9.5)	3 (1.3)
3"	PBARCXXX	0.5 (12.7)	0.625 (15.8)	0.5 (12.7)	0.5 (12.7)	0.375 (9.5)	3 (1.3)
3-1/2"	PBARDXXX	0.5 (12.7)	0.625 (15.8)	0.5 (12.7)	0.5 (12.7)	0.375 (9.5)	3.5 (1.5)
4"	PBAREXXX	0.5 (12.7)	0.625 (15.8)	0.5 (12.7)	0.5 (12.7)	0.375 (9.5)	3.5 (1.5)
5"	PBARFXXX	0.5 (12.7)	0.625 (15.8)	0.5 (12.7)	0.5 (12.7)	0.375 (9.5)	4 (1.8)
6"	PBARGXXX	1.0 (25.4)	1.125 (28.5)	1.0 (25.4)	0.875 (22.2)	0.5 (12.7)	4.5 (2)
8"	PBARHXXX	1.0 (25.4)	1.125 (28.5)	1.0 (25.4)	0.875 (22.2)	0.5 (12.7)	4.5 (2)
10"	PBARIXXX	1.0 (25.4)	1.125 (28.5)	1.0 (25.4)	0.875 (22.2)	0.5 (12.7)	5 (2.3)
12"	PBARJXXX	1.0 (25.4)	1.125 (28.5)	1.0 (25.4)	0.875 (22.2)	0.5 (12.7)	5.5 (2.5)
14"	PBARKXXX	1.25 (31.7)	1.375 (34.9)	1.25 (31.7)	1.25 (31.7)	0.875 (22.2)	6.5 (2.9)
16"	PBARLXXX	1.25 (31.7)	1.375 (34.9)	1.25 (31.7)	1.25 (31.7)	0.875 (22.2)	7 (3.1)
18"	PBARMXXX	1.25 (31.7)	1.375 (34.9)	1.25 (31.7)	1.25 (31.7)	0.875 (22.2)	7.5 (3.4)
20"	PBARNXXX	1.25 (31.7)	1.375 (34.9)	1.25 (31.7)	1.25 (31.7)	0.875 (22.2)	8 (3.6)
24"	PBAROXXX	1.25 (31.7)	1.375 (34.9)	1.25 (31.7)	1.25 (31.7)	0.875 (22.2)	9 (4)



RFI Racine Flow Meter Group

Blancett

DYNASONICS Flo-tech

HEDLAND

PRESO

racine



8635 Washington Avenue
Racine, WI 53406-3738 USA
www.preso.com

Tel: 800-632-7337 or 262-639-6770
Fax: 262-417-1148
E-mail: info@preso.com