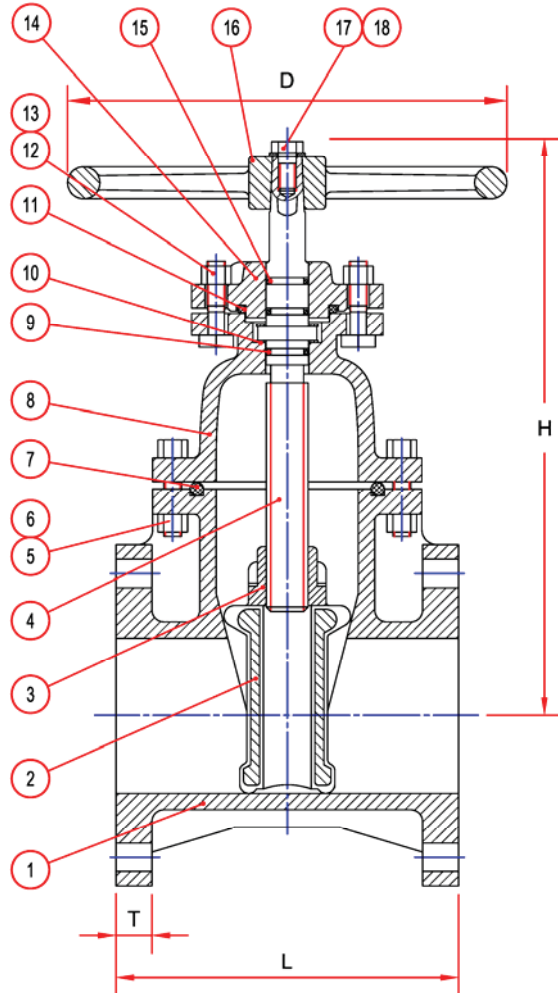


Resilient Seated Solid Wedge Gate Valve - Series 6800

AWWA C509 & C515 ▪ NRS Type ▪ FL x FL ▪ Sizes 2" - 16"



No.	Part Name	Materials
1	Body	Ductile Iron ASTM A536 65-45-12
2	Wedge	Ductile Iron EPDM Encapsulated
3	Stem Nut	Aluminum Bronze
4	Stem	Stainless Steel, Bronze Available
5	Bolt	Stainless Steel
6	Nut	Stainless Steel
7	O-Ring Gasket	EPDM
8	Bonnet	Ductile Iron ASTM A536 65-45-12
9	O-Ring	EPDM
10	Thrust Bearing	Copper
11	O-Ring	EPDM
12	Bolt	Stainless Steel
13	Nut	Stainless Steel
14	Gland	Ductile Iron ASTM A536 65-45-12
15	O-Ring	EPDM
16	Handwheel	Ductile Iron ASTM A536 65-45-12
17	Bolt	Stainless Steel
18	Washers	Stainless Steel

Features:

- Design and Materials Exceed AWWA C509, C515 & C550.
- Flanges Conform to ANSI B16.1, Class 125.
- 4"-12", Available with ANSI B16.1, Class 250, Flanges.
- C509 Thick wall Ductile Iron, Body, Bonnet, and Gland.
- Fusion Bonded Epoxy Coatings In and Out per AWWA C550.
- Stainless Steel Nuts, Bolts, and Washers.
- Stainless Steel Stem, Bronze Available.
- Ductile Iron, EPDM Encapsulated Wedge.
- EPDM Gaskets and O-Rings.
- 2" Ductile Iron AWWA Nut, Ductile Iron Handwheel, or Automatic Actuators Available.

Dimensions:

Size	Model	L	H	D	T	Approx. Weight
2"	6802	7"	9 ⁵ / ₈ "	7 ¹ / ₄ "	5 ⁵ / ₈ "	49#
2 ¹ / ₂ "	6825	7 ¹ / ₂ "	11"	7 ¹ / ₄ "	3 ³ / ₄ "	51#
3"	6803	8"	13 ¹ / ₂ "	10"	3 ³ / ₄ "	65#
4"	6804	9"	15 ¹ / ₂ "	10"	1"	99#
5"	6805	10"	16 ¹ / ₂ "	12"	1"	143#
6"	6806	10 ¹ / ₂ "	18 ¹ / ₄ "	12"	1"	154#
8"	6808	11 ¹ / ₂ "	22 ¹ / ₂ "	14"	1 ¹ / ₈ "	229#
10"	6810	13"	25 ¹ / ₂ "	17 ¹ / ₂ "	1 ¹ / ₄ "	372#
12"	6812	14"	30 ¹ / ₂ "	17 ¹ / ₂ "	1 ¹ / ₄ "	588#
14"	6814	15"	34"	21"	1 ³ / ₈ "	756#
16"	6816	16"	40 ⁷ / ₈ "	21"	1 ¹ / ₂ "	1,212#