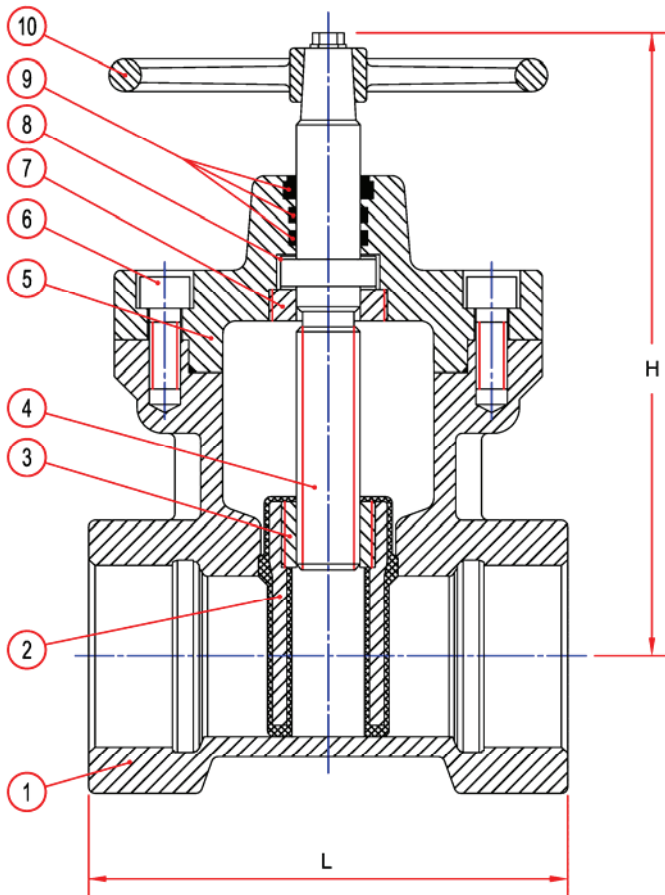


Threaded Resilient Seated Gate Valve - Series 6300

▪ Ductile Iron ▪ NRS Type ▪ Threaded Ends ▪ Sizes 3/4" - 4"



No.	Part Name	Materials
1	Body	Ductile Iron ASTM A536 65-45-12
2	Wedge	Ductile Iron/ EPDM Coated
3	Stem Nut	Aluminum Bronze
4	Stem	Stainless Steel
5	Bonnet	Ductile Iron ASTM A536 65-45-12
6	Bonnet Bolt	Stainless Steel
7	Thrust Bearing	Brass
8	Thrust Washer	Brass
9	O-Ring	EPDM
10	Handwheel	Ductile Iron ASTM A536 65-45-12

Features:

- Threaded Ends.
- Stainless Steel Stem.
- EPDM O-rings.
- Ductile Iron, EPDM Encapsulated Wedge.
- Ductile Iron Handwheel Operator,
Or 2" Nut Operator Available.

Dimensions:

Size	Model	L	H
3/4"	6375	4.33"	5.98"
1"	6301	4.72"	5.98"
1-1/4"	63125	4.72"	5.86"
1-1/2"	6315	5.51"	7.67"
2"	6302	5.90"	7.67"
2-1/2"	6325	6.69"	9.25"
3"	6303	7.08"	9.25"
4"	6304	7.48"	10.43"