



Solid State Point Level Controls

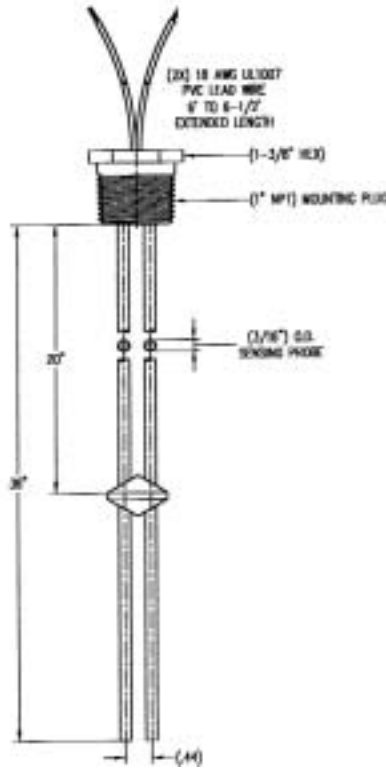
Innovative
Solutions



Model CC24-2: Dual Level Conductivity Controller

The CC24-2 is a two level conductivity controller with independent probe inputs and relay outputs. The bi-polar control circuitry alternates current between the probes to resist plating and corrosion typical of other conductivity devices and switches at a safe 1.2 V, 0.03 mA. The controller can be used for high/low or customer selected level switch positions.

The CC24-2 can be used with programmable controllers or other digital receiver and is available in a chassis mount or NEMA 4 enclosure.



Features:

- Two independent level inputs/outputs
- Bi-polar operation resists corrosion
- SPDT 0.5 A relays
- Requires minimal space
- Low power consumption
- Variety of installation packages

- Power: 12 VDC and 24 VDC
- Output: (2) SPDT 0.5 A relays
- Power Consumption: 1.6 VA max.
- Probe: 1.2 VAC, 30 Ma

Environmental:

- Ambient Temperature:
-40 to +160° F (-40 to +71°C)

Applications:

- Food & Beverage
- HVAC
- Storage Tanks
- Water Treatment
- Chillers
- Cooling Towers
- Medical
- Pharmaceutical
- Stationary Engine Coolant
- Humidifiers
- Boilers
- Steam Generators
- Steam Cleaners
- Aqueous Cleaning Systems