

Type 760 Diaphragm Valves

The Chemline Type 760 Manual Diaphragm Valve is part of the 700 Series of diaphragm valves. 700 Series valves have modular design and interchangeable bodies, diaphragms and actuators. The Type 760 features compact size and all plastic construction for corrosion resistance and light weight. Being a diaphragm valve it is suitable for sanitary or slurry applications. Because it is slow closing, water hammer problems are eliminated. This is also a good throttling valve. With a Teflon® diaphragm, it has corrosion resistance superior to ball or butterfly valves.

When a few manual valves are required on a system using the pneumatically actuated 700 Series, the Type 760 is a good choice because the bodies and diaphragms are the same.

Compact

All Plastic Construction

Features

Solid Plastic Body and Actuator

- Light weight
- Corrosion resistant inside and out

Excellent for Sanitary Applications

- Self draining
- PVDF and unpigmented PP bodies are approved for food applications
- Sanitary clamp end connections are available

Butt Fusion Ends available

- Spigot bodies are available 1/2" to 3" for direct butt fusion into Chemline PP and PVDF piping systems. All mechanical connections may be eliminated.

Modular Construction

- Only 5 actuator and diaphragm sizes for 9 valve sizes. Spare parts requirements are minimized.

No Maintenance

- Elastomer diaphragms have life well over one million cycles, but if necessary they are easy to replace



CHEMLINE
Plastics Limited

Your Pipeline To Quality

Manual Operation

BODIES: PVC, CPVC, PP or PVDF

SIZES: 1/2" – 4"

ENDS: True Union Socket, Threaded or ChemFlare™¹
Spigot² Bodies with Plain, Socket, Threaded or Flanged ends

DIAPHRAGMS: EPDM, FPM (Viton®)
or Teflon®

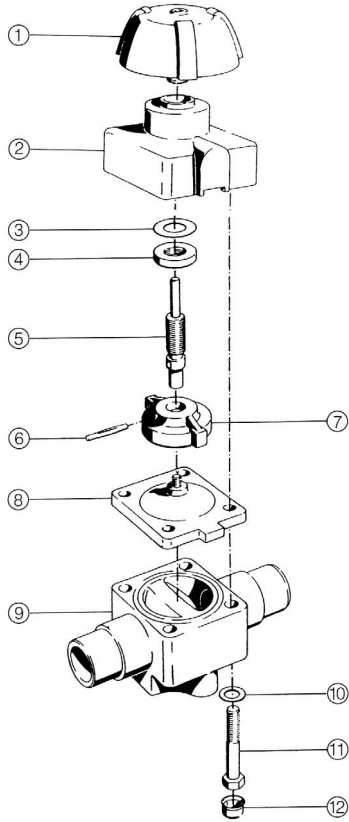


True Union Body

¹ For ChemFlare™ end connectors, consult Chemline.

² PP and PVDF spigot ends have metric dimensions and will butt fuse directly to Chemline PP and PVDF piping systems.

Type 760 Diaphragm Valves

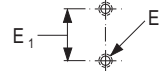
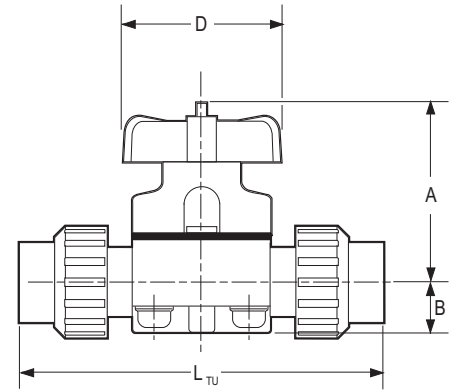


PARTS

▲ Recommended Spare Parts

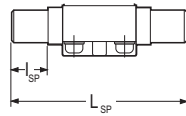
No.	Part	Pcs.	Materials
1	Handwheel with Sleeve	1	PPG/Brass
2	Bonnet	1	PPG
3	Compression Bearing	1	Delrin
4	Nut	1	Stainless Steel
5	Spindle	1	Stainless Steel
6	Spring Pin	1	Spring Steel
7	Compressor	1	PBTP
8▲	Process Diaphragm	1	EPDM, FPM(Viton®), Teflon®
9	Valve Body	1	PVC, PP, PVDF CPVC
10	Washer	4 ¹	304 SS
11	Hex Bolt	4 ¹	304 SS
12	Bolt Cap	4 ¹	PE

¹8 pieces for 2-1/2" and 3", 12 pieces for 4" valves.

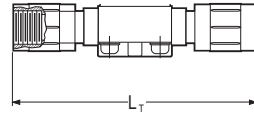


True Union Body

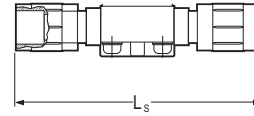
NON UNION ENDS



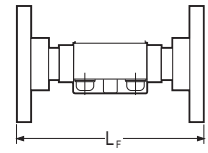
Spigot Body



Threaded



Socket



Flanged

DIMENSIONS INCHES

WEIGHTS

C_v VALUES

Size	A	B	D	E	E ₁	L _{SP}	Union		Soc		Spig		Soc†		Thd†		Flg†		Flg" S" ‡		Pounds	C _v
							L _{TU}	L _{SP}	L _S	L _T	L _F	L _{FS}										
1/2"	3.5	1.0	5.0	M6	1.0	0.9	6.4	5.5	7.5	7.3	5.8	-	1.5	6.5								
3/4"	3.5	1.0	5.0	M6	1.0	1.1	6.6	5.7	8.1	7.5	6.0	5.9	1.5	9.6								
1"	3.5	1.0	5.0	M6	1.0	1.2	7.1	6.1	8.6	8.3	6.3	5.9	1.5	12.								
1-1/4"	4.6	1.6	6.1	M8	1.8	1.3	8.1	6.9	9.5	9.1	7.2	6.4	3.3	21.								
1-1/2"	4.6	1.6	6.1	M8	1.8	1.4	9.2	7.6	10.8	10.8	7.9	6.9	3.3	29.								
2"	5.5	1.6	8.2	M8	1.8	1.5	10.8	8.9	12.2	11.2	9.4	7.9	5.3	54.								
2-1/2"	8.8	2.2	10.2	M12	3.9	1.7	-	11.2	15.1	14.7	11.8	-	16.5	91.								
3"	8.8	2.2	10.2	M12	3.9	2.0	17.6*	11.8	16.0	15.7	12.1	10.4	16.5	140.								
4"	9.5	2.5	10.2	M22	4.7	2.3	-	13.5	18.5	17.4	13.8	-	33.0	220.								

† Socket, Threaded and Flanged fabricated are for PVC and CPVC valves only.

Consult Chemline for PP or PVDF fabricated spigot body dimensions.

‡ Flanged "S" = ITT Saunders plastic lined valve length.

* 3" Union socket body is fabricated using a spigot body.

Weights are for PVC Spigot valves.

ORDERING EXAMPLE

Chemline Diaphragm Valves		760		010		A		E		U	
Size	005 - 1/2"	007 - 3/4"	010 - 1"	012 - 1-1/4"	015 - 1-1/2"	020 - 2"	025 - 2-1/2"	030 - 3"	040 - 4"		
Body Material	A - PVC	B - PP	C - CPVC	K - PVDF							
Diaphragm	E - EPDM	B - Nitrile	V - FPM (Viton®)								
	P - Teflon® one-piece ¹		P2 - Teflon® two-piece								
Ends	Blank - Spigot (Butt)		S - Socket	T - Threaded	F - Flanged	U - Union Socket	CF - ChemFlare™				

Example: Chemline Type 760 Diaphragm Valve, 1" PVC body, EPDM diaphragm, Socket Union ends.

¹Teflon® one-piece diaphragm is supplied standard.



55 Guardsman Road, Thornhill, Ontario, Canada, L3T 6L2

Tel: 905-889-7890 request@chemline.com

Fax: 905-889-8553 www.chemline.com



Your Pipeline To Quality Valves, Piping, Flow Meters and Controls