

Type 720 Diaphragm Valves

The Chemline Type 720 Manually Operated Diaphragm Valve features compact size a large variety of body materials and end connections. It is much smaller than other 1/2" diaphragm valves.

This is a good throttling valve and is suitable for sanitary or slurry applications. With a Teflon® diaphragm, it has corrosion resistance superior to a ball valve.

When a few manual valves are required on a system using the pneumatically actuated Type 710, the Type 720 is a good choice because the bodies and diaphragms are interchangeable.

Compact

All Plastic Construction

Features

Pressure rated to 90 psi

- 90 psi at 20°C for all materials

Solid Plastic Body and Actuator

- Light weight
- Corrosion resistant inside and out

Excellent for Sanitary Applications

- Self draining
- PVDF and unpigmented PP bodies are approved for food applications
- Sanitary Tri-clamp end connections are available

Butt Fusion Ends available

- Spigot bodies are available in 1/2" for direct butt fusion into Chemline PP and PVDF piping systems. All mechanical connections may be eliminated.

Adjustable Travel Stop

- Prevents excessive pressure on diaphragm, extending life

Sealed Handwheel

- Protects the stem from corrosive atmosphere



CHEMLINE
Plastics Limited

Your Pipeline To Quality

Manual Operation

BODIES: PVC, CPVC, PP or PVDF

SIZES: 3/8", 1/2"

ENDS: True Union Socket, Threaded ChemFlare™¹ or Spigot² Bodies

DIAPHRAGMS: EPDM, FPM (Viton®) or Teflon®

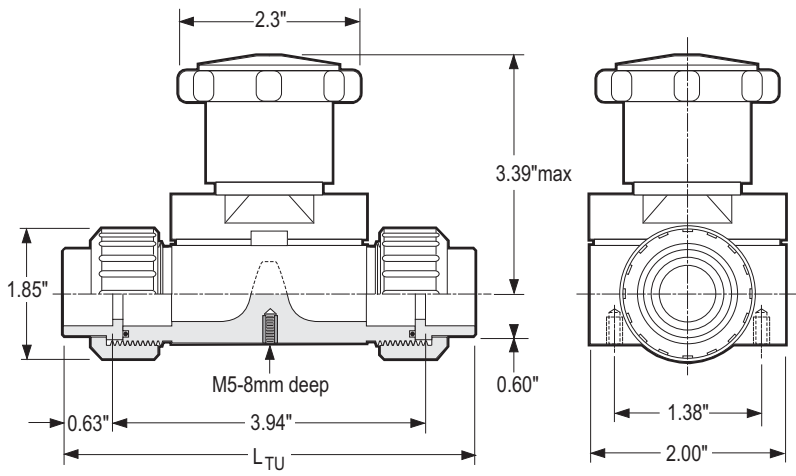
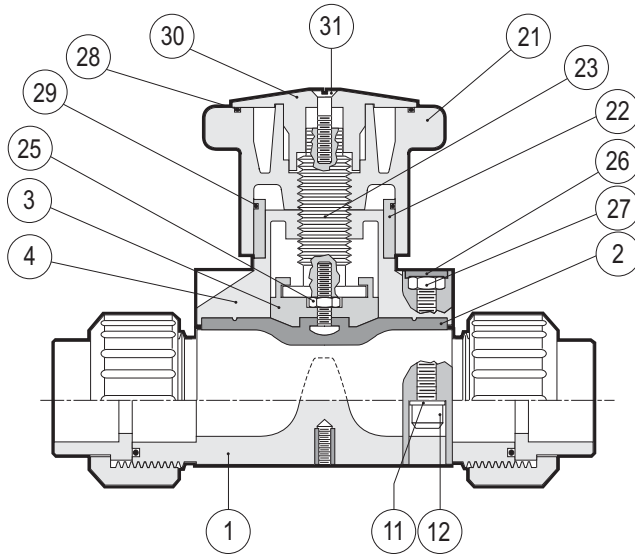


True Union Body

¹ For ChemFlare™ end connectors, consult Chemline.

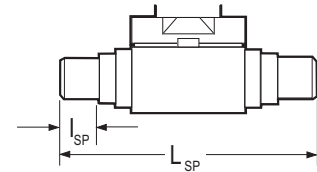
² PP and PVDF spigot ends have metric dimensions and will butt fuse directly to Chemline PP and PVDF piping systems. PVC spigots are ANSI.

Type 720 Diaphragm Valves

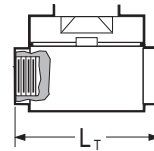


True Union Body

Spigot Body



Female Threaded Body



PARTS

▲ Recommended Spare Parts

No.	Part	Pcs.	Materials
1	Body	1	PVC, PP, PVDF CPVC
2▲	Diaphragm	1	EPDM, FPM (Viton®), Teflon®
3	Compressor	1	PPS ¹
4	Bonnet	1	PPS ¹
11	Washer	4	304 SS
12	Socket Head Bolt	4	304 SS
21	Handwheel	1	PPS ¹
22	Position Indicator Collar	1	PVDF
23	Stem	1	304 SS
25	Hex Nut	1	304 SS
26	Bolt Cap	4	POM
27	Hex Nut	4	304 SS
28	Handwheel O-Ring (upper)	1	FPM (Viton®)
29	Handwheel O-Ring (lower)	1	FPM (Viton®)
30	Handwheel Cap	1	PPS ¹
31	Handwheel Screw	1	304 SS

¹ PPS = Polyphenylene sulfide

DIMENSIONS INCHES

C_v VALUES

Size	Union Soc L _{TU}	Spig L _{SP}	Thd L _T	USGPM at 1 psi ΔP
3/8"	5.12	4.88	2.91	3.3
1/2"	5.12	4.88	2.91	4.1

ORDERING EXAMPLE

Chemline Diaphragm Valves	720	005	A	E	U
Size	003 - 3/8"	005 - 1/2"			
Body Material	A - PVC	B - PP	C - CPVC	K - PVDF	
Diaphragm	E - EPDM	B - Nitrile	V - FPM (Viton®)	P - Teflon® PTFE	
Ends	Blank - Spigot (Butt)	T - Threaded	U - Union Socket	CFx - ChemFlare™	

Example: Chemline Type 720 Diaphragm Valve, 1/2" PVC body, EPDM diaphragm, Socket Union ends.
x = 4 for 1/4", 6 for 3/8", 8 for 1/2" ID tube connections.



55 Guardsman Road, Thornhill, Ontario, Canada, L3T 6L2
Tel: 905-889-7890 request@chemline.com
Fax: 905-889-8553 www.chemline.com



Your Pipeline To Quality Valves, Piping, Flow Meters and Controls