

Large Size Compact 4" & 6" Ball Valves

Chemline SL Series Compact Ball Valves are molded-in-place full port 4" and 6", available in PVC with a polyethylene ball. The 6" size is a full port alternative to a 4" ball valve with ends increased to 6". Seats are Teflon® for long life and low stem torques. The 4" size is also available with Hypalon® seats, superior on sustained vacuum applications and many slurries.



PVC with PE Ball

SERIES: SL

SIZES: 4" & 6"

ENDS: Flanged

SEATS: Teflon® PTFE, Hypalon® (CSM)¹

SEALS: FPM (Viton®), EPDM

Full Port

Compact Dimensions

Abrasion Resistant

Features

Large Port

- **Low Pressure Loss** – 6" has C_v value of 1880
- **No Obstruction to Flow** – No possible hangup of debris – Suitable for lines where "pigging" is required

Compact Dimensions – Minimal flange face-to-face dimensions: 6" has 10-1/2" face-to-face length

- Will fit where other ball valves will not
- The most compact 4" and 6" flanged ball valves available

Light Weight

- Easy installation
- Minimal stress on piping system

No Cavity between Body and Ball

- The low dead volume eliminates sediment build-up

Teflon® Ball Seats

- Provide long life and low stem torques

Long Term Vacuum Resistance

- Optional Hypalon® seats (4" only) hold vacuum long term

Abrasion Resistant

- PE ball provides superior abrasion resistance
- Optional Hypalon® seats (4" only) out perform Teflon® on abrasion

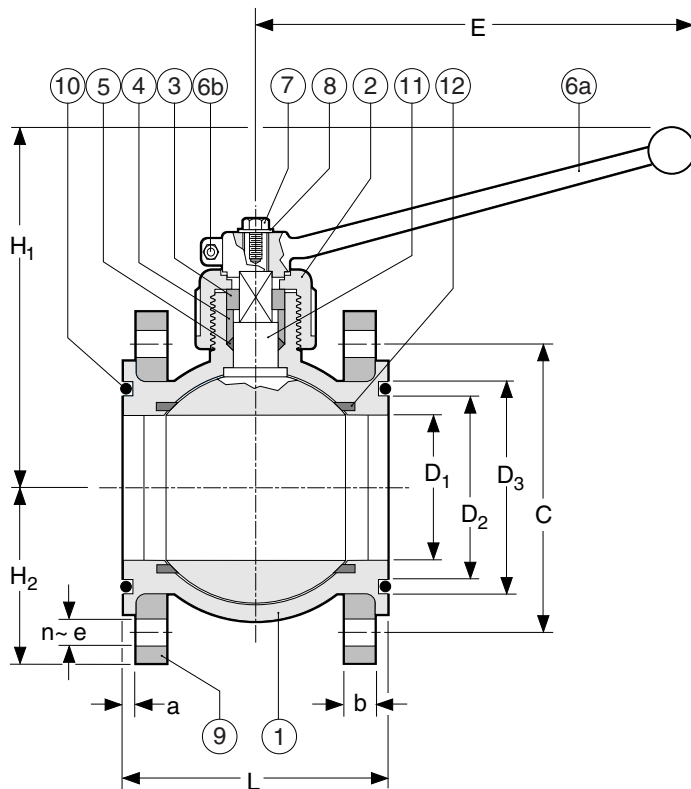
No Flange Gaskets Required

- Flange face O-rings are included



¹ Standard seats are Teflon®. Hypalon® is available in 4" only.

Large Size Compact Ball Valves



PARTS

▲ Recommended Spare Parts

No.	Part	Pcs.	Materials
1	Body	1	PVC
2	Gland Nut	1	PVC
3	Travel Stop	1	PVDF
4	Gland	1	PVC
5▲	Stem O-Ring	1	FPM (Viton®), EPDM ¹
6a	Hand Lever	1	Alum Alloy
6b	HL Tightening Bolt/Nut	1 set	304 SS
7	HL Retaining Hex Bolt	1	304 SS
8	Hand Lever Washer	1	PVC
9	Flange	2	GRP ²
10	Face O-Ring	2	FPM (Viton®), EPDM ¹
11	Ball/Stem	1	PE/Steel
12	Ball Seat	2	PTFE, CSM ³

¹ FPM (Viton®) is supplied standard

² GRP = Glass reinforced polyester

³ CSM = Hypalon® available in 4" only

VACUUM RATING

● 29.9 inches mercury

DIMENSIONS INCHES

Size	D ₁ Bore	D ₂	D ₃	C	E	H ₁	H ₂	L	a	b	e	n
4"	3.67	4.52	5.23	7.5	10.8	8.7	4.3	6.57	0.28	0.87	0.77	8
6"	5.92	6.76	7.46	9.5	12.2	11.2	5.6	10.51	0.35	1.06	0.88	8

NET WEIGHTS LB.

WORKING PRESSURES PSI

C_v VALUES

Size	Pounds	20°C 68°F	30°C 86°F	40°C 104°F	50°C 102°F	60°C 140°F	USGPM Flow at 1 psi ΔP
4"	15.6	150	115	85	45	15	1565
6"	21.1	85	85	85	45	15	1880

Temperature Range: 0 to 60°C (32 to 140°F).

ORDERING EXAMPLE

Chemline Large Size Compact Ball Valves	SL	A	060	E	F
Body Material	A – PVC				
Size	040 – 4" 060 – 6"				
Seals	E – EPDM V – FPM (Viton®) (Standard)				
Ends	F – Flanged				
Seats	blank – PTFE (Standard) H – Hypalon ¹				

Example: Chemline Large Size Compact Ball Valve, PVC, 6" with EPDM seals, flanged ends, PTFE seats.

¹ Hypalon® seats are an option for 4" size only. EPDM seals are supplied standard only in valve with Hypalon® seats, optional in standard valves with Teflon® seats.



55 Guardsman Road, Thornhill, Ontario, Canada, L3T 6L2
 Tel: 905-889-7890 request@chemline.com
 Fax: 905-889-8553 www.chemline.com



Your Pipeline To Quality Valves, Piping, Flow Meters and Controls