

PW Series Wafer Check Valves

The Chemline PW Series Wafer Check Valve offers high end features at low prices. This wafer check does not require a separate spacer or flange gaskets. The large orifice and full flow design means low pressure drop. Spring assisted disc closure is standard as well as an optical indication of disc open/close position. A large selection of body materials and elastomers (all NSF 61 approved) allow for a wide range of applications.

Low Cost

Full Flow Design

High Working Pressures

Features

Large Flow Capacity – Low pressure drop

High Pressure Ratings

- 8" is 150 psi rated

NSF 61 Approved

- All wetted parts are made from NSF 61 approved resin

Can be Mounted Vertically or Horizontally

Spring Assisted Valve Closing

- Field installed springs assist disc closing for silent operation and to lower hammer on closing
- Two different springs installed in three configurations provide proper disc closing at 45 psi, 100 psi and 150 psi line pressure

Optional Drain Plug

- Moulded boss may be tapped for drainage plug



CHEMLINE
Plastics Limited

Your Pipeline To Quality

PVC, PP, PPG¹, PVDF

SERIES: PW

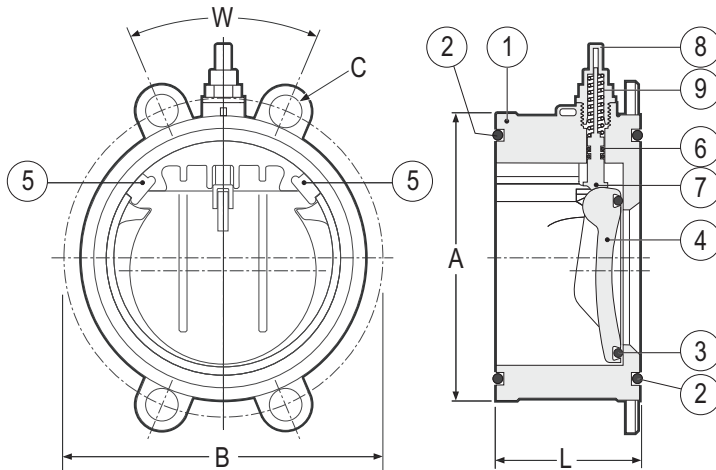
SIZES: 3" – 12"

SEALS: EPDM, FPM (Viton®)



¹PPG=Glass Filled Polypropylene

PW Series Wafer Check Valves



PARTS

▲ Recommended Spare Parts

No.	Part	Pcs.	Materials
1	Body	1	PVC, PP, PVDF, PPG
2▲	Body O-Ring	2	EPDM, FPM (Viton®)
3▲	Disc O-Ring	1	EPDM, FPM (Viton®)
4	Disc	1	PVC, PP, PVDF, PPG
5	Disc Retainer	2	PVC, PP, PVDF, PPG
6▲	Stem O-Ring	2	EPDM, FPM (Viton®)
7	Indicator Stem	1	PVDF
8	Indicator Cover	1	Clear ABS
9	Spring	1	304 SS

VACUUM RATING

- Full Vacuum

DIMENSIONS INCHES

WEIGHTS LB.

C_v VALUES

Size	L	A	B	C	W	PVC	PP	PPG	PVDF	C _v Value
3"	2.8	4.9	5.8 – 6.3	0.8	1.8	1.26	0.84	1.00	1.57	180
4"	3.2	6.1	6.9 – 7.5	0.8	1.8	1.87	1.26	1.48	2.36	400
6"	4.2	8.4	9.2 – 9.5	0.9	1.8	5.40	3.62	4.25	6.77	1,000
8"	5.5	10.4	11.4 – 11.8	0.9	1.8	6.61	5.29	6.39	8.82	2,500
10"	5.5	12.8	13.8 – 14.3	1.1	1.2	11.60	9.28	11.20	15.40	3,500
12"	7.1	14.7	15.8 – 17.0	1.1	1.2	18.90	15.20	18.20	25.10	4,500

WORKING PRESSURES PSI

Size	PVC			PP			PPG				PVDF			
	20°C 68°F	40°C 104°F	60°C 140°F	40°C 104°F	60°C 140°F	80°C 176°F	40°C 104°F	60°C 140°F	80°C 176°F	105°C 220°F	40°C 104°F	60°C 140°F	80°C 176°F	100°C 212°F
3"	150	130	70	90	70	58	150	130	90	45	150	130	90	60
4"	150	130	70	90	70	58	150	130	90	45	150	130	90	60
6"	150	130	70	90	70	58	150	130	90	45	150	130	90	60
8"	150	130	70	90	70	58	150	130	90	45	150	130	90	60
10"	150	130	70	90	70	58	150	130	90	45	150	130	90	60
12"	150	130	70	90	70	58	150	130	90	45	150	130	90	60

Temperature Ranges: PVC 0 to 60°C (32 to 140°F), PP -20 to 90°C (-4 to 194°F), PPG -20 to 115°C (-4 to 240°F), PVDF -40 to 140°C (-40 to 284°F).

PRESSURES TO OPEN PSI

SEALING PRESSURES PSI

MAXIMUM ALLOWABLE FLOW RATES USGPM

Size	Spring Type			Maximum Back Pressure Required to Seal (psi)	at Start-Up and Shut-Down	Running State
	50 psi	90 psi	150 psi			
3"	0.1	0.25	0.5	1.5	125	200
4"	0.1	0.25	0.5	1.5	225	300
6"	0.1	0.25	0.5	1.5	500	600
8"	0.1	0.25	0.5	1.5	650	900
10"	0.1	0.25	0.5	1.5	800	1,300
12"	0.1	0.25	0.5	1.5	900	1,700

Above data is from tests using water on valves with EPDM disc facing.

ORDERING EXAMPLE

Chemline Wafer Check Valves	PW	A	030	E
Valve Material	A – PVC G – PPG	B – PP K – PVDF		
Size	030 – 3" 080 – 8"	040 – 4" 100 – 10"	060 – 6" 120 – 12"	
Seals	E – EPDM	V – FPM (Viton®)		

Example: PW Series Wafer Check Valve, PVC, 3", with EPDM seals.

INSTALLATION PRECAUTIONS:

- Never install the valve directly to a pump.
- Never install the valve directly to a bend or elbow.
- Install all wafer check valves a minimum distance of 5 to 10 times the nominal pipe diameter **downstream** of pumps, elbows or valves.



55 Guardsman Road, Thornhill, Ontario, Canada, L3T 6L2
 Tel: 905-889-7890 request@chemline.com
 Fax: 905-889-8553 www.chemline.com



Your Pipeline To Quality Valves, Piping, Flow Meters and Controls