

High Capacity 6" Ball Valves

Chemline HC Series is a true large port 6" ball valve manufactured in PVC, polypropylene and PVDF. Most other 6" valves often are 4" with ends increased to 6". HC Series offers an unobstructed full port which allows passage of mechanical pipe cleaners or "pigs". Applications include unfiltered sea water and sewage lines. It is also suitable for mild slurries and vacuum lines.

Full Flow Path

Low Stem Torque

Trunion Design

Features

Large Port

- **Low Pressure Loss** – C_v value of 1880
- **No Obstruction to Flow** – No possible hangup of debris. Suitable for lines where "pigging" is required.
- **Low Fluid Velocities** – Minimal line velocity increase through these valves means lower abrasion if solids are present.

Compact Dimensions

- Minimum end-to-end length

Easy Maintenance

- The body is a lugged cartridge which slips out of line when the end flange bolts are removed

Light Weight

- Easy installation
- Minimal stress on piping system

No Cavity between Body and Ball

- The low dead volume eliminates sediment build-up

Cushioned Teflon® Ball Seats

- Elastomer cushions provide a good closure seal and smooth operation

Teflon® Stem and Trunion Bearings

- Assure low torque and maintenance free operation

Available Flanged to 8"

- The C_v value of these valves flanged to 8" is approximately equal to that of an 8" butterfly valve but offers no obstruction in flow path

CHEMLINE
Plastics Limited

Your Pipeline To Quality

PVC, PP, PVDF

SERIES: HC

SIZES: 6" & 8"¹

ENDS: Socket, Flanged or Butt²

SEATS: Teflon® PTFE

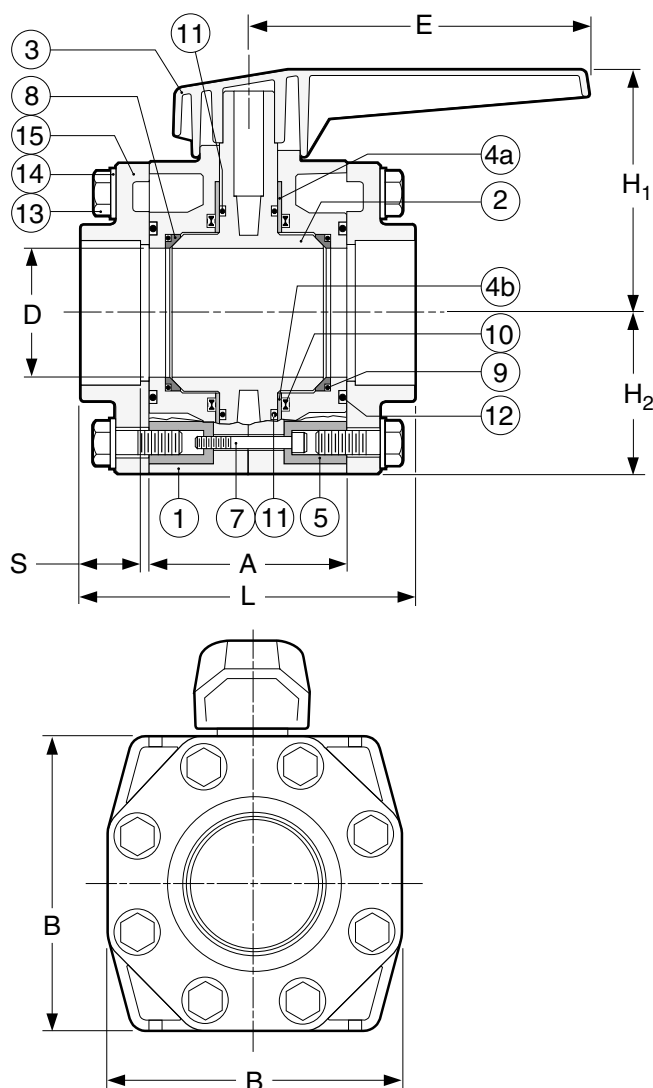
SEALS: EPDM, FPM (Viton®)



¹8" size is a 6" valve with 8" flanged ends.

²Butt ends for fusion to Chemline metric PP or PVDF piping.

High Capacity 6" Ball Valves



PARTS

▲ Recommended Spare Parts

No.	Part	Pcs.	Materials
1	Split Body	2	PVC, PP, PVDF
2	Ball/Stem Unit	1	PVC, PP, PVDF
3	Handle	1	PVC
4a	Stem Bearing	1	Teflon® PTFE
4b	Trunion Bearing	1	Teflon® PTFE
5	Hex Retainer Lug	8	304 SS
7	Body Retainer Bolt	8	304 SS
8▲	Ball Seat	2	Teflon® PTFE
9▲	Seat Cushion	2	EPDM, FPM (Viton®) ¹
10▲	Body & Stem Seal	1	EPDM, FPM (Viton®) ¹
11▲	Stem & Trunion O-Ring	2	EPDM, FPM (Viton®) ¹
12▲	Body Face O-Ring	2	EPDM, FPM (Viton®) ¹
13	End Piece Retainer Bolt	16	304 SS
14	Washer	14	304 SS
15	Socket End Piece	2	PVC, PP, PVDF

¹ EPDM is supplied standard with PVC & PP. FPM (Viton®) is supplied standard with PVDF valve.

VACUUM RATING

- 29.9 inches mercury

OPTIONS & ACCESSORIES

- **Electrical or Pneumatically Actuated**
– Refer to separate data sheets
- **Stem Extensions** – Made to any length
- **Limit Switches** – For open and/or closed position indication
- **Handle Lockout** – Field mountable
- **Municipal Operating Nut**
- **Gear Operator**

WEIGHTS LB.

Size	Material	Socket	Flanged
6"	PVC	50	70
	PP	38	54
	PVDF	58	78

DIMENSIONS INCHES

Size	Material	D Bore	S Socket	L Socket	L Flanged	A	B	E	H ₁	H ₂
6"	PVC	5.3	3.4	15.2	22.4	8.0	10.6	12.2	8.3	5.3
	PP	5.3	–	14.3	19.8	8.0	10.6	12.2	8.3	5.3
	PVDF	5.1	–	14.3	19.8	8.0	10.6	12.2	8.3	5.3
8"	PVC	5.3	C.F.	C.F.	25.2	8.0	10.6	12.2	8.3	5.3
	PP	5.3	–	–	C.F.	8.0	10.6	12.2	8.3	5.3
	PVDF	5.1	–	–	C.F.	8.0	10.6	12.2	8.3	5.3

WORKING PRESSURES PSI

Size	PVC			Polypropylene			PVDF				
	0-40°C 32-104°F	50°C 122°F	60°C 140°F	0-40°C 32-104°F	60°C 140°F	80°C 176°F	-40-70°C -40-158°F	80°C 176°F	90°C 194°F	100°C 212°F	120°C 248°F
6"	85	45	15	85	60	30	85	75	60	45	30
8"	85	45	15	85	60	30	85	75	60	45	30



55 Guardsman Road, Thornhill, Ontario, Canada, L3T 6L2
 Tel: 905-889-7890 request@chemline.com
 Fax: 905-889-8553 www.chemline.com



Your Pipeline To Quality Valves, Piping, Flow Meters and Controls