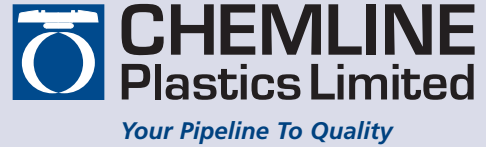


Ball Float Valves



The Chemline BFP Series Ball Float Valve is a cost effective level control device for water or non-hazardous liquids. The valve may be mounted through a hole in the tank wall and anchored with the lock nut provided.

Polypropylene

SERIES: BFP

SIZES: 1/2" – 1-1/2"

ENDS: Threaded

For Tank Level Control
Will not Corrode



Features

All Plastic Construction

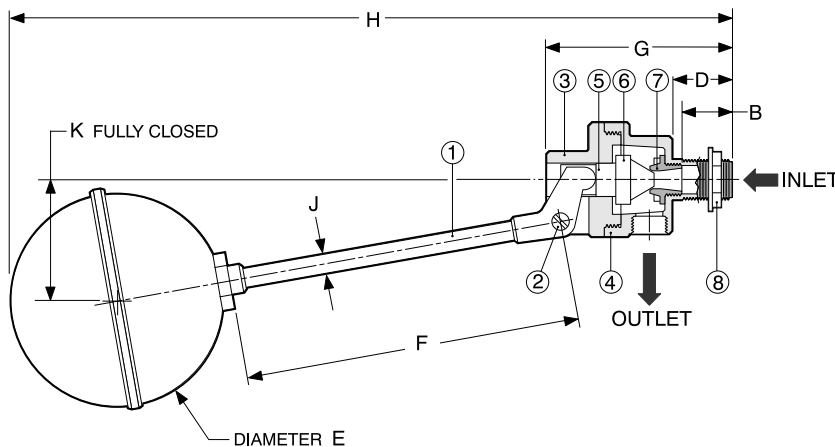
- No corrosion

Easily Maintainable

- All parts are replaceable

Adjustable Float Arm

- For different tank levels



PARTS

▲ Recommended Spare Parts

| No. | Part | Pcs. | Materials |
|-----|----------------|------|---------------|
| 1 | Float/Arm | 1 | Polypropylene |
| 2 | Screw | 1 | Polypropylene |
| 3 | Body Part "A" | 1 | Polypropylene |
| 4 | Body Part "B" | 1 | Polypropylene |
| 5 | Plunger | 1 | Polypropylene |
| 6▲ | Disc* | 1 | Polyethylene |
| 7▲ | Seat | 1 | Polypropylene |
| 8 | Lock Nut | 1 | Polypropylene |
| 9 | Delivery Tubet | 1 | Polypropylene |

* 1", 1-1/2" has PE disc; 1/2" has PP diaphragm
† 3-1/2" long delivery tube is supplied on 3/8" valve outlet only.

TEMPERATURE RANGE

1/2": - 20 to 70°C (-4 to 158°F)

1", 1-1/2": - 20 to 50°C (-4 to 122°F)

| DIMENSIONS | | INCHES | | | | | | | | WORKING PRESSURES | FLOW RATES | | | | C _v VALUES |
|------------|--------|--------|-----|-----|------|-----|-------|------|-----|--------------------------|-------------------------|------|------|------|-----------------------|
| Size | | B | D | E | F | G | H | J | K | PSI (Water Level at "K") | vs. Line Pressure – PSI | | | | USGPM at 1 psi ΔP |
| Inlet | Outlet | | | | | | | | | 10 | 30 | 50 | 80 | | |
| 1/2" | 3/8"† | 1.1 | 1.2 | 5.0 | 7.0 | 3.8 | 14.75 | 0.50 | 2.0 | 150 | 3.0 | 6.0 | 7.2 | 9.6 | 0.67 |
| 1" | 1" | 1.9 | 2.2 | 7.0 | 14.5 | 6.6 | 27.75 | 0.75 | 5.0 | 100 | 14.0 | 28.0 | 38.0 | 48.0 | 4.5 |
| 1-1/2" | 1-1/4" | 2.0 | 2.4 | 9.0 | 15.0 | 7.8 | 32.12 | 0.75 | 6.0 | 100 | 24.0 | 48.0 | 60.0 | 74.0 | 7.1 |

† 3-1/2" long delivery tube is supplied on 3/8" valve outlet only.



55 Guardsman Road, Thornhill, Ontario, Canada, L3T 6L2
Tel: 905-889-7890 request@chemline.com
Fax: 905-889-8553 www.chemline.com



Your Pipeline To Quality Valves, Piping, Flow Meters and Controls

06/08 ©Chemline Plastics Limited 2008
Chemline is a registered trade mark of Chemline Plastics Limited