

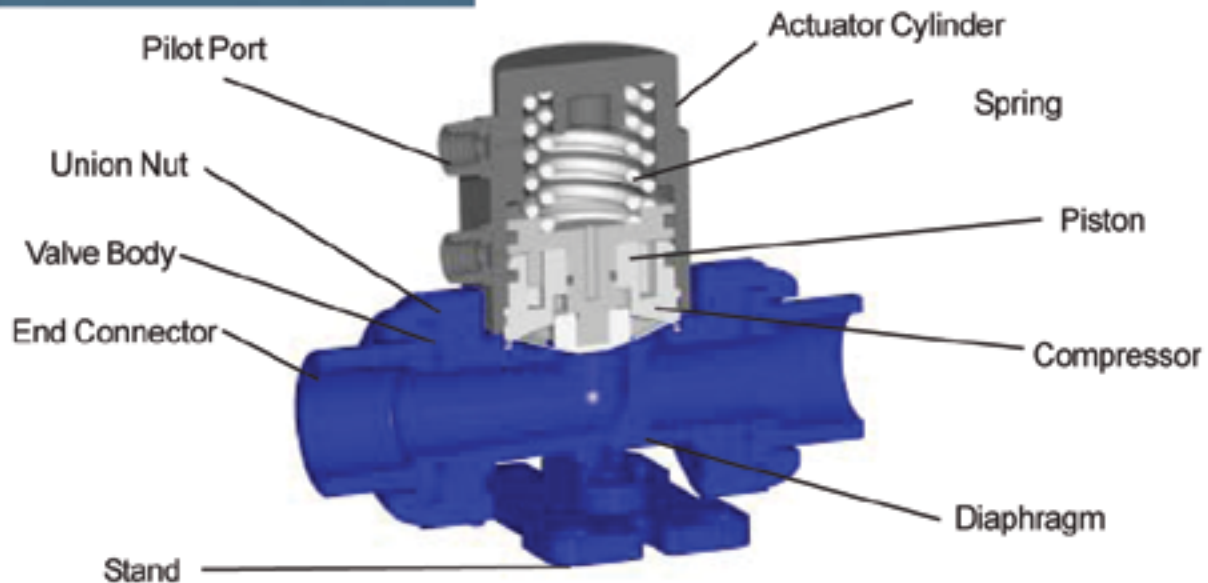
# HDV

# Compact Air Diaphragm Valve



## HDV: Diaphragm Valve

- Most compact design available
- Extended cycle life
- PVC construction
- PTFE diaphragm
- True union design
- Available with socket, thread and flange ends

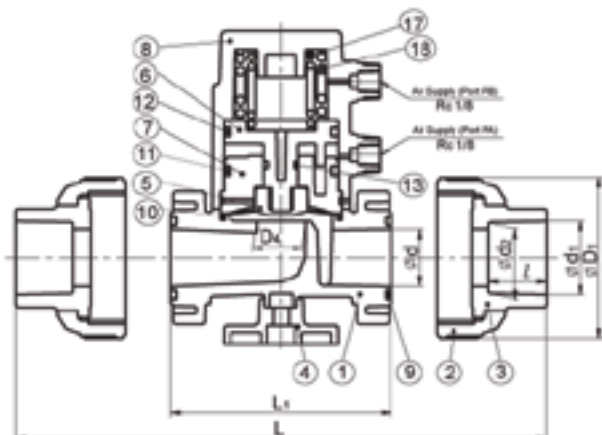


## Specifications

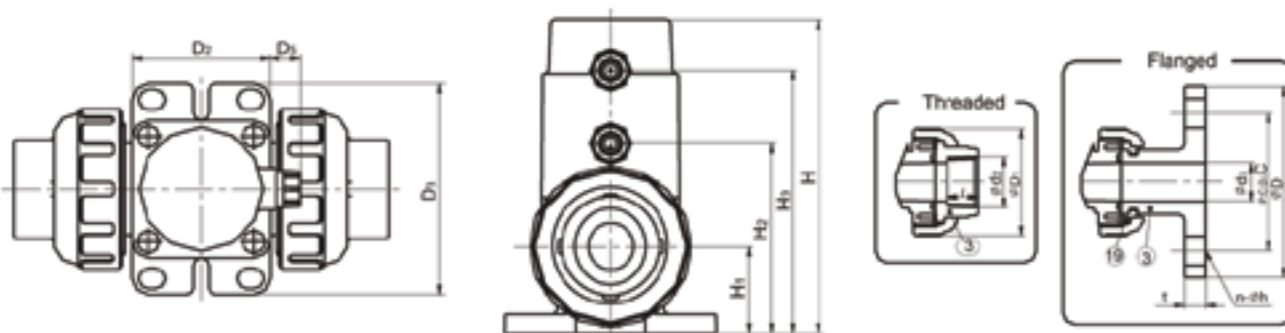
Item	Unit	1/2	3/4	1	1 1/2	2
Applications	-	DI Water, Chemical				
Operating Temperature: Media	C	0 - 60				
	F	32 - 140				
Operating Temperature: Ambient	C	0 - 60				
	F	32 - 140				
Working Pressure	MPa	0.4				
	PSI	60				
Pilot Air Pressure	MPa	0.4 - 0.5				
	PSI	60 - 72.5				
Back Pressure	MPa	0.2				
	PSI	30				
Connection	-	True Union with Socket, Thread or Flange				
Orifice Diameter	mm	16	22	22	40	50
	inch	0.630	0.866	0.866	1.57	1.97
Cv Value		5	8	8	CF	CF
Actuator dimension	mm	50 x 50	60 x 60	60 x 60	95 x 95	110 x 110
	inch	1.97 x 1.97	2.36 x 2.36	2.36 x 2.36	3.74 x 3.74	4.33 x 4.33
Air Port connection		Rc 1/8				
Actuator Type		Air to Open (Normally Closed) Air to Air				
Options		Position Indicator, Travel Stop, Bypass Valve				

## Materials of Construction

Item	Description	Material
1	Body	PVC
2	Union Nut	PVC
3	End Connector	PVC
4	Base	PVC
5	Diaphragm	PTFE
6	Piston	PPS
7	Compressor	PPS
8	Cylinder Body	PPS
9-13	O-ring Seals	EPDM, FKM, other
17	Spring	304 Stainless Steel
18	Spring	304 Stainless Steel
19	Stop ring	PVDF
20	CAP	EPDM
22-27	Hardware	Stainless Steel



## Dimensions



Size	d	Socket End ASTM Sch 30				Threaded End			Flanged End ASTM Class 150					
		d1	d2	l	L	d2	l	L	D	C	n	h	t	L
Ωi	0.61	0.848	0.836	0.875	5.04	Ωi NPT	0.59	4.61	3.50	2.38	4	0.62	0.47	6.22
æi	0.81	1.058	1.048	1.000	5.83	æi NPT	0.57	5.47	3.88	2.75	4	0.62	0.55	7.52
ii	0.98	1.325	1.310	1.125	6.44	ii NPT	0.79	5.89	4.25	3.12	4	0.62	0.55	8.09
1Ωi	1.57	1.912	1.894	1.375	9.25	1-1/2i NPT	0.98	8.43	5.00	3.88	4	0.62	0.63	10.35
2i	1.97	2.387	2.369	1.500	10.7	2i NPT	1.10	10.24	6.00	4.75	4	0.75	0.63	11.69

Size	L1	D1	D2	D3	D4	D5	H	H1	H2	H3
Ωi	3.11	1.89	1.97	3.62	0.63	0.51	4.02	1.30	2.60	3.6
æi	3.46	2.36	2.36	3.62	0.87	0.51	5.30	1.44	3.17	4.43
ii	3.72	2.78	2.36	3.62	0.87	0.51	5.37	1.48	3.25	4.51
1Ωi	5.71	3.94	3.74	5.71	1.57	0.49	7.87	2.09	4.74	6.61
2i	6.97	4.96	4.53	5.71	1.97	0.51	9.45	2.68	5.87	7.95

### Options for HDV

- Position Indicator
- Valve Stand
- Travel Stop